

## DTSC-200A



### DTSC-200A Unique Features

- ✓ Built on field proven DTSC-200
- ✓ New face plate with tactile buttons
- ✓ Large LCD display
- ✓ Programmable from HMI panel or service tool (USB connection)
- ✓ Shorter lead time

# Automatic Transfer Switch (ATS) Controller

## DESCRIPTION

The DTSC-200A (Digital Transfer Switch Control) controls the transfer of electrical power from one source to another for hospitals, data centers, office buildings, manufacturing plants and similar where lights out is not an option. The extremely versatile DTSC-200A ATS controller is easily configured for a wide range of automatic transfer switch applications including Main-Gen, Gen-Gen or Main-Main systems using circuit breakers or latching contactors. Source transfer can be performed as open, delayed, or closed transition with in-phase monitoring (synch check) that can be enabled for all transition types to ensure safe transfer. The closed transition overlap time can be limited to less than 100ms for momentary, make-before-break transfers, or extended indefinitely for paralleling via discrete input. "Custom" features like transfer inhibit, source selection, load shed/restore, elevator pre-signal and engine test programs come standard.

**LogicsManager™** - Programmable Boolean logic functions along with ample, expandable discrete I/O allows for complex transfer schemes without using external relay logic or a separate PLC!

**FlexApp™** - Easily configures the DTSC-200A for: Utility-to-Generator, Generator-to-Generator or Utility-to-Utility applications

**DynamicsLCD™** - The adaptive and interactive 4.3", 480 x 272-pixel TFT LC display with tactile buttons and a clear menu structure ensure intuitive user operation and navigation.

## FEATURES

- True R.M.S. 3-phase voltage measuring for both Source 1 and Source 2
- True R.M.S. 3-phase load current/power
- Software configurable for wide range of ATS applications:
  - Utility-to-Generator: Utility is preferred with a generator as emergency source
  - Generator-to-Generator: One genset is preferred with a second genset as backup
  - Utility-to-Utility: Utility is preferred with second utility as the emergency source
- Incorporates several monitoring features for a secure transfer: Source, Load, Switch, Battery, In-phase, and parallel time monitor
- Intelligent limit switch feedback monitoring to ensure plausibility before initiating a transfer
- Fully configurable transfer command pulse configuration
- Inhibit transfer to S1, S2, both or start emergency source but initiate no transfer
- Elevator pre-signal with timer before carrying out a transfer
- Motor load disconnect signal with timer and possibility to daisy chain multiple MLDs for load sequencing
- Source priority selection configurable via LogicsManager
- Load test and engine test to initiate routine health check of the emergency source
- In-phase monitoring ensures a transfer occurs within a phase angle difference of 7° or less
- Extended parallel time enables soft loading applications
- Vector group adjustment if transformers are used in the ATS system
- Shunt trip enable signal ensures both sources are not paralleled for more than desired time
- Remote control via interface (CANopen, Modbus RTU) and via discrete inputs
- I/O expansion capability (additional 16x DI and 16x DO supported via IKD1M or 3<sup>rd</sup> party modules)
- Adjustable display backlight shutdown to reduce power consumption
- Woodward ToolKit™ software for flexible setup from a single connection to the network. Supports settings file created from the DTSC-200
- Multi-lingual capability: English, German, Spanish, Polish, Russian, other languages upon request

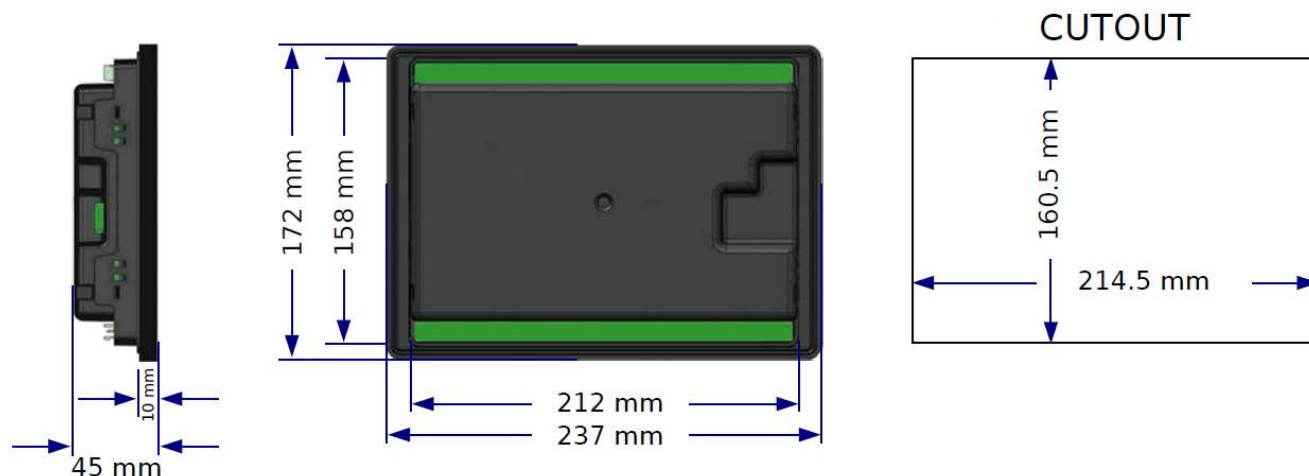
- Premium ATS control for complex transfer switch applications for critical power assets. Supports,
  - Circuit breakers or latching contactors
  - Open, delayed, or closed transition transfer
  - Make-before-break (<100ms) transfer or extended indefinitely for paralleling
  - In-phase monitoring (synch check) for all transition types
- Engine exerciser (load/no-load) routine with fully adjustable interval
- Load shed and restore
- Elevator pre-signal
- Transfer/return inhibit
- Adjustable timers and bypass
- Priority source selection
- Freely configurable, expandable discrete I/O
- CANopen / Modbus RTU
- PC and/or front display configuration with password protection
- CE marked
- UL/cUL 1008

## SPECIFICATIONS

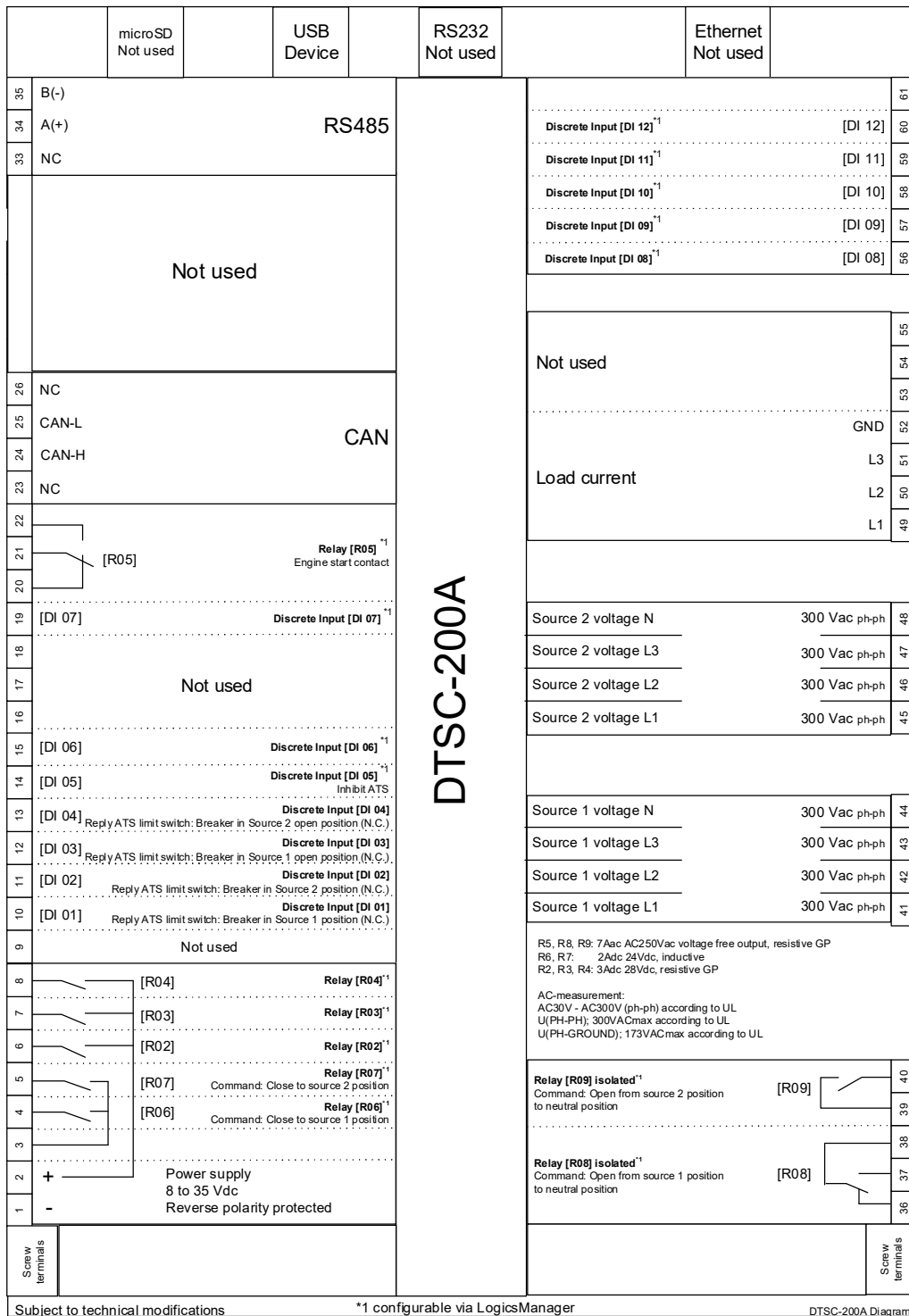
Power supply	12/24 V <sub>DC</sub> (8 to 35 V <sub>DC</sub> )
Intrinsic consumption	max. 6 W (standby max. 5 W)
Ambient temperature (operation)	-25 to 70 °C / -13 to 158 °F
Ambient temperature (storage)	-25 to 70 °C / -13 to 158 °F
Ambient humidity	93%, non-condensing
Voltage	$\Delta/\Delta$
Rated (V <sub>rated</sub> )	277/480 V <sub>AC</sub>
Max. value (V <sub>max</sub> )	358/620 V <sub>AC</sub>
Max. value (V <sub>max</sub> ) according to UL	173/300 V <sub>AC</sub>
Accuracy	Class 1
Linear measuring range	1×V <sub>rated</sub>
Measuring frequency	50/60 Hz (40 to 85 Hz)
High Impedance Input; Resistance per path	4.0 MΩ
Max. power consumption per path	< 0.2 VA
<b>Current (Isolated) Rated (I<sub>rated</sub>)</b>	5A
Linear measuring range	I <sub>gen</sub> = 2.0×I <sub>rated</sub>
	I <sub>mains/ground</sub> = 1.5×I <sub>rated</sub>
Rated short-time overcurrent (1 s)	10×I <sub>rated</sub>
Accuracy	Class 1
<b>Discrete inputs group A [DI 1-7]</b>	non isolated
Low level threshold	Approx. 1.3 V <sub>DC</sub>
High level threshold	1.7 V <sub>DC</sub>
Max. input voltage	60 V <sub>DC</sub>
Min. input voltage	0 V <sub>DC</sub>
<b>Discrete inputs group B [DI 8-12]</b>	non isolated
Low level threshold	Approx. 1.3 V <sub>DC</sub>
High level threshold	1.7 V <sub>DC</sub>
Max. input voltage	24 V <sub>DC</sub>
Min. input voltage	0 V <sub>DC</sub>
<b>Display</b>	
	480 × 272 TFT LCD with backlight
	Wear resistant and scratch resistant LCD due to hard acrylic screen

<b>Discrete outputs group A [R 2-4]</b>	isolated
	Rated 7 A <sub>DC</sub> , 24 V <sub>DC</sub> running standalone
	Rated 3 A <sub>DC</sub> , 24 V <sub>DC</sub> when running in parallel with other two relays
	3 A <sub>DC</sub> , 24 V <sub>DC</sub> resistive GP (according to UL)
<b>Discrete output [R 5]</b>	isolated
	Rated 7 A <sub>AC</sub> , 250 V <sub>AC</sub> voltage free output, resistive GP
<b>Discrete outputs group B [R 6-7]</b>	isolated
	Rated 10 A <sub>DC</sub> , 24 V <sub>DC</sub> running standalone
	Rated 5 A <sub>DC</sub> , 24 V <sub>DC</sub> when running in parallel with the other relay
	2 A <sub>DC</sub> , 24 V <sub>DC</sub> inductive (according to UL)
<b>Discrete output group C [R 8-9]</b>	isolated
	Rated 7 A <sub>AC</sub> , 250 V <sub>AC</sub> voltage free output, resistive GP
<b>Interfaces</b>	
USB service port	
Max. allowed cable length	1.5 m
RS-485 interface	isolated
Insulation voltage	500 V <sub>AC</sub>
Max. allowed cable length	1000 m
CAN bus interface	isolated
Insulation voltage	500 V <sub>AC</sub>
Internal line termination	120 Ohm
<b>Housing</b> Front panel flush mounting	Plastic housing
Dimensions WxHxD	237 × 172 × 45 mm
Front cutout WxH	214.5 × 160.5 mm
Connection	screw/plug terminals 2.5 mm <sup>2</sup>
Front	insulating surface
Sealing	Front IP65 (with screw fastening)
	Back IP20
Weight	approx. 0,850 g
<b>Disturbance test (CE)</b>	tested according to applicable IEC standards
<b>Listings</b>	CE, UL1008 (File No: E527936)

## DIMENSIONS



# TERMINAL DIAGRAM



## RELATED PRODUCTS

- I/O Expansion Board **IKD1** (Product spec. # 37171)
- **ToolKit** (Product spec. # 03366)
- Genset controller **easYgen-3200XT** & **easYgen-3500XT** (Product spec. # 37582 and #37583)
- Circuit breaker controller **easYgen | LS-6XT** (Product spec. #37913)
- CANbus to Fiber Optic Converters (Application note # 37598):  
**DL-CAN** P/N 8445-1049 and **DL-CAN-R** P/N 8445-1048
- Remote Access Gateway (with HMS Netbiter **EasyConnect EC250** and **EC350**)
- Phoenix expansion CAN Couplers



## CONTACT

## North &amp; Central America

Tel.: +1 (208) 278 3370

## South America

Tel.: +55 19 3708 4800

## Europe

Tel.: +49 711 78954 510

## Middle East &amp; Africa

Tel.: +971 2 678 4424

## Russia

Tel.: +49 711 78954 515

## China

Tel.: +86 512 8818 5515

## India

Tel.: +91 124 4399 500

## ASEAN &amp; Oceania

Tel.: +49 711 78954 510

## SALES SUPPORT

✉ [industrial.sales.PG@woodward.com](mailto:industrial.sales.PG@woodward.com)

## TECHNICAL SUPPORT

✉ [industrial.support@woodward.com](mailto:industrial.support@woodward.com)[www.woodward.com](http://www.woodward.com)

Subject to alterations, errors excepted.

Subject to technical modifications.

This document is distributed for informational purposes only. It is not to be construed as creating or becoming part of any Woodward Company contractual or warranty obligation unless expressly stated in a written sales contract.

We appreciate your comments about the content of our publications. Please send comments including the document number below to [marketing\\_pg@woodward.com](mailto:marketing_pg@woodward.com)

© Woodward  
All Rights Reserved

For more information contact:

Digital Transfer Switch Controller		DTSC-200A
<b>Measuring</b>		
True R.M.S. Source voltage (3phase/4-wire)	Source 1	✓
	Source 2	✓
Load current (3phase/4-wire, true RMS)	.../5 A	✓
<b>Breaker Control</b>		
Open transition (break-before-make)		✓
Delayed transition (break-before-make) + timed neutral position		✓
Closed transition (make-before-break) #1		✓
<b>Application</b>		<i>FlexApp™</i>
Utility to generator		✓
Utility to utility (configurable phase angle)		✓
Generator to generator (2 start signals)		✓
<b>Features</b>		
Programmable elevator pre-signal		✓
Programmable motor load disconnect signal		✓
Transfer commit		✓
Test modes #2		✓
Transfer mode selector #2		✓
Load shed #2		✓
Shunt trip enable #2		✓
Extended parallel time #2		✓
Automated display backlight shutdown selectable		✓
Daylight saving time		✓
Source priority selection #2		✓
Vector group adjustment for in-phase monitoring		✓
Fully adjustable timers #3		✓
Status LEDs for source availability and breaker state		✓
<b>Accessories</b>		
Tactile keys (advanced LC display)	<i>DynamicsLCD™</i>	✓
Configuration via PC #4		✓
Event recorder with real time clock		300
Flush-mounting (screw or clamp fastening)		✓
<b>Monitoring</b>		ANSI#
Source: voltage	59/27	✓
Source: frequency	810/81U	✓
Source: voltage asymmetry	47	✓
Source: rotation field		✓
Load: overload	32	✓
Load: overcurrent	50/51	✓
Switch: plausible switch position		✓
Switch: transition failure		✓
Battery: voltage		✓
Synch check (in-phase monitoring)	25	✓
Parallel time monitoring		✓
<b>I/Os</b>		
Discrete inputs (configurable)		12
Discrete outputs (configurable)	<i>LogicsManager™</i>	8
USB service port #4		✓
CANopen communication bus (isolated)		✓
RS-485 Modbus RTU Slave half-duplex (isolated)		✓
<b>Listings/Approvals</b>		
UL/cUL 1008 Listed		✓
CE Marked		✓
<b>Part numbers</b>		
Front panel mounting with display, 5A CT input#5		8440-2297
Spare connector kit		10-004-675
Spare mounting kit		10-062-608

#1 Optimized to achieve short parallel (&lt; 100ms) or extended long parallel as per LM status

#2 via internal conditions or remote command

#3 neutral delay timers (1 to 6500 s), elevator pre-signal timers (1 to 6500 s), motor load disconnect timers (1 to 6500 s), stable timers (1 to 6500 s), outage timers (0.1 to 10.0 s), engine start delay timers (1 to 300 s)

#4 Configuration software 'Toolkit' available free at Woodward.com or at product documentation site, <http://wwdmanuals.com/dtsc-200a>

#5 a screw and a clamp kit are delivered with the unit for fastening